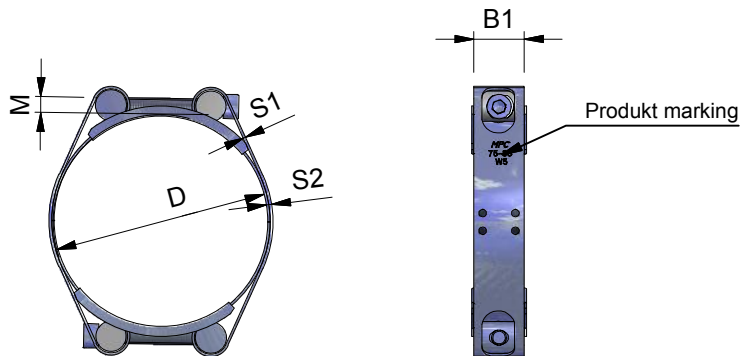

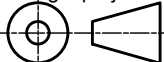


MPC TYPE "DSA"



SIZES						
clamp size minimum:	clamp size maximum:	Band width:	Band W1;W5	Thickness W1; W5	Screw	Tightening Torque:
d	D	B1+/-1	S1	S2	M	AD* in Nm
30	40	20	1	2	6	8
35	45	20	1	2	6	8
40	50	20	1	2	6	8
45	55	20	1	2	6	8
50	60	20	1	2	6	8
55	65	20	1	2	6	8
60	70	20	1	2	6	8
65	75	20	1	2	6	8
70	80	20	1	2	6	8
75	85	20	1	2	6	8
80	90	20	1	2	6	8
85	95	20	1	2	6	8
90	100	20	1	2	6	8
95	105	20	1	2	6	8
100	110	20	1	2	6	8
105	115	20	1	2	6	8
110	120	20	1	2	6	8
115	125	20	1	2	6	8
120	130	20	1	2	6	8
125	135	20	1	2	6	8
130	140	20	1	2	6	8
135	145	20	1	2	6	8
140	150	20	1	2	6	8
145	155	20	1	2	6	8
150	160	20	1	2	6	8
155	165	20	1	2	6	8
160	170	20	1	2	6	8
165	175	20	1	2	6	8
170	180	20	1	2	6	8
190	200	20	1	2	6	8
200	210	20	1	2	6	8
210	220	20	1	2	6	8
220	230	20	1	2	6	8
230	240	20	1	2	6	8
240	250	20	1	2	6	8

AD*= Maximum advised torque. We recommend working on 72% of the maximum values.

	Material:	Part number:	DSA
	W1, W5	Description:	
Third angle projection:			Revision:
Drawn by: Gyula	Creation date: 27-3-2014	Format: A4	
Scale 1:1	Units: mm		