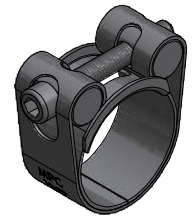
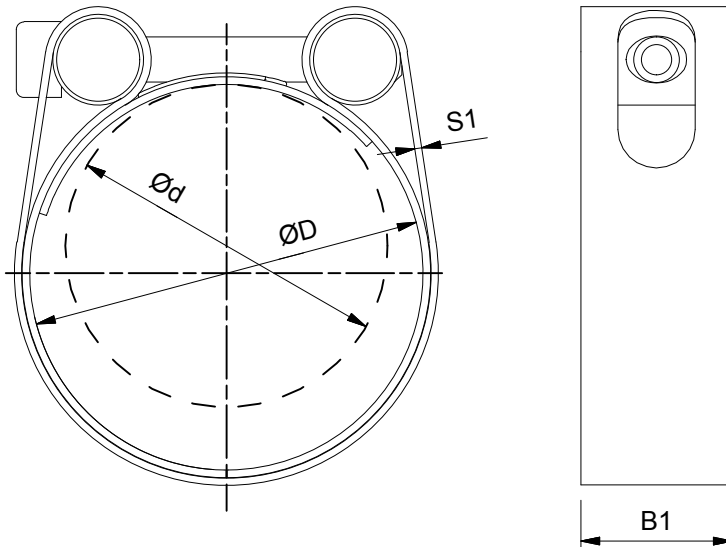


MPC TYPE "SP"

Design: A




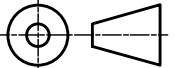
Design: B



SIZES

clamp size minimum:	clamp size maximum:	Band width:	Band thickness	Material	Innerhex head Screw	Design	Tightening Torque:
d	D	B1	S1				AD* in Nm
31	35	20	1	W1	M6	A	8 Nm
36	40	20	1	W1; W5	M6	A	8 Nm
41	45	20	1	W1; W5	M6	A	8 Nm
45	50	20	1	W1; W5	M6	B	8 Nm
50	55	20	1	W1; W5	M6	B	8 Nm
55	60	20	1	W1; W4; W5	M6	B	8 Nm
60	65	20	1	W1; W5	M6	B	8 Nm
65	70	20	1	W1; W5	M6	B	8 Nm
70	76	20	1	W1; W4; W5	M6	B	8 Nm
75	81	20	1	W1; W5	M6	B	8 Nm
80	86	20	1	W1; W5	M6	B	8 Nm
85	90	20	1	W1; W5	M6	B	8 Nm
90	95	20	1	W1; W5	M6	B	8 Nm
95	100	20	1	W1; W5	M6	B	8 Nm
100	105	20	1	W1; W5	M6	B	8 Nm
105	110	20	1	W1; W5	M6	B	8 Nm
110	115	20	1	W1; W5	M6	B	8 Nm
115	120	20	1	W1; W5	M6	B	8 Nm
120	125	20	1	W1; W5	M6	B	8 Nm
125	130	20	1	W1; W5	M6	B	8 Nm

AD*=Maximum advised torque

	Third angle projection:		Part number:	
	Material:		<h2>SP Clamps</h2>	
W1; W4; W5	Description:		Revision:	
	MPC Industries, SP superclamps			
Drawn by: gyula	Creation date: 31-3-2014			Format:
Scale 1:1	Units: mm			A4